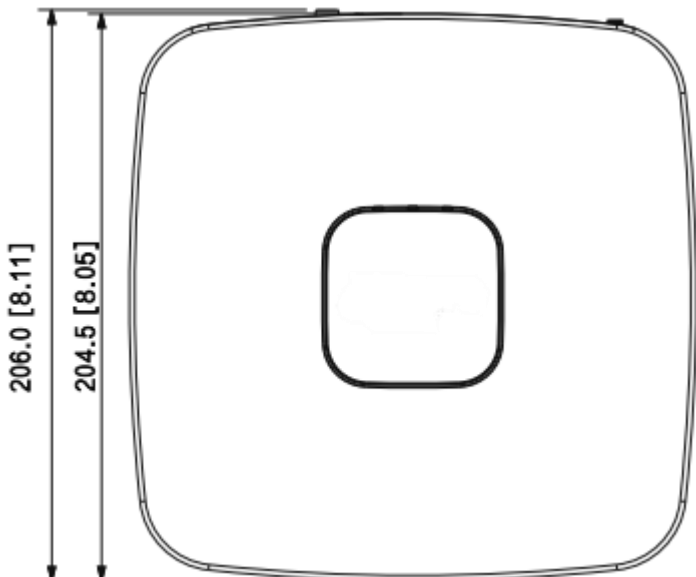
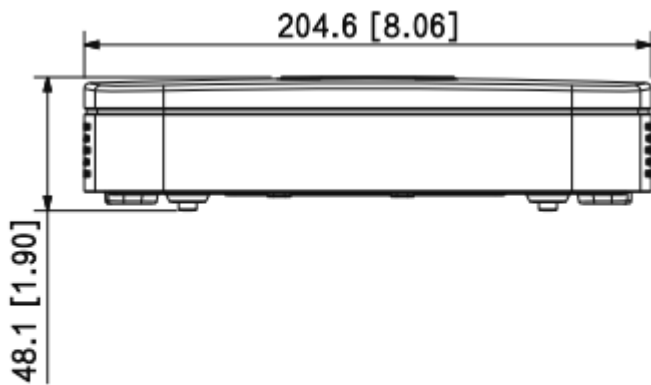


E-N-AI08-1 PRO 3

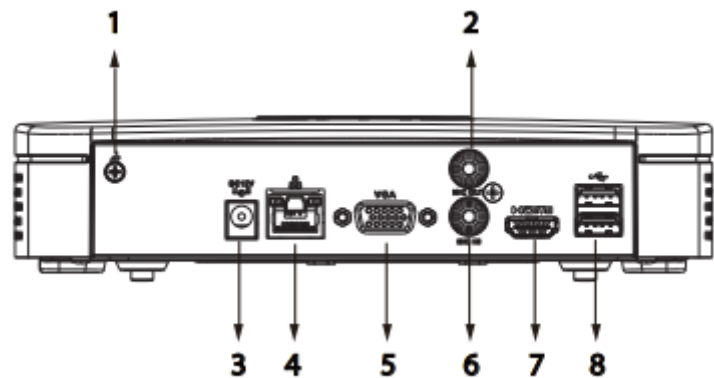
8 Channels 1HDD PoE Network Video Recorder



Dimensions mm (inch)



Panels



- | | |
|---------------|----------------------------|
| 1 Ground | 2 AUDIO OUT, RCA Connector |
| 3 Power Input | 4 Network Port |
| 5 VGA Port | 6 AUDIO IN, RCA Connector |
| 7 HDMI Port | 8 USB Ports |

Technical Specification

Audio and Video

Access Channel	8 channels
Network Bandwidth	Access: 80 Mbps; Storage: 80 Mbps; Forward: 60 Mbps
Resolution	12MP; 8MP; 5MP; 4MP; 3MP; 2MP; 720p; D1
Decoding Capability	AI disabled: 1-channel 12 MP@30 fps; 1-channel 8 MP@30 fps; 2-channel 5 MP@30 fps; 3-channel 4 MP@30 fps; 6-channel 1080p@30 fps AI enabled: 1-channel 8 MP@30 fps; 1-channel 5 MP@30 fps; 2-channel 4 MP@30 fps; 4-channel 1080p@30 fps
Video Output	1 HDMI, 1 VGA HDMI: 3840 × 2160, 1920 × 1080, 1280 × 1024, 1280 × 720 VGA: 1920 × 1080, 1280 × 1024, 1280 × 720
Multi-screen Display	1, 4, 8, 9 views
Third-party Camera Access	Onvif

Compression Standard

Video Compression	Smart H.265+; H.265; Smart H.264+; H.264; MJPEG
Audio Compression	G.711a; G.711u; PCM; G726;

Network

Network Protocol	HTTP; HTTPS; TCP/IP; IPv4; IPv6; UDP; NTP; DHCP; DNS; SMTP; IP Filter; DDNS; IP Search (Supports IP camera, DVR, NVS, etc.); P2P; Auto Registration
Mobile Phone Access	Android; iOS
Interoperability	ONVIF 22.12(Profile T; Profile S; Profile G); CGI; SDK
Browser	Chrome; IE; Safari; Edge; Firefox

Recording Playback

Multi-channel Playback	Up to 8 channels
Record Mode	General, motion detection; intelligent; alarm
Storage Method	Local HDD and network
Backup Method	USB device and network
Playback Mode	Instant playback; general playback; event playback; tag playback; smart playback

Alarm

General Alarm	Motion detection; privacy masking; video loss; PIR alarm
Anomaly Alarm	Error (no disk, disk error, low space, low quota space; network disconnection; IP conflict; MAC conflict); video loss; video tampering; camera offline
Intelligent Alarm	Perimeter protection; SMD Plus
Alarm Linkage	Recording; snapshot; buzzer; log; preset; email; tour

System

Main Processor	Industrial-grade processor
Operating System	Embedded Linux
Operating Interface	Web, Local GUI

AI

AI by Camera	Perimeter protection; SMD Plus
AI by Recorder	SMD Plus

Perimeter Protection

Perimeter Performance of AI by Camera (Number of Channels)	4 channels
--	------------

SMD Plus

SMD Plus by Camera	4-channel SMD Plus (AI by camera), secondary filtering for human and motor vehicle SMD Plus, reducing false alarms caused by leaves, rain and lighting condition change
SMD Plus by Recorder	4 channels: Secondary filtering for human and motor vehicle, reducing false alarms caused by leaves, rain and lighting condition change

Port

Audio Input	1-channel RCA
Audio Output	1-channel RCA
HDD Interface	1 SATA port. Each disk can contain up to 20 TB. this limit varies depending on the environment temperature.
USB	2 (2 rear USB 2.0 ports)
HDMI	1
VGA	1
Network Port	1 (10/100 Mbps Ethernet port, RJ-45)

General

Power Supply	12 VDC, 1.5 A
Power Consumption	Total output of NVR is ≤ 10 W (without HDD)
Net Weight	0.45 kg
Gross Weight	1.05 kg
Product Dimensions	204.6 mm × 206.4 mm × 45.6 mm
Packaging Dimensions	96 mm × 364 mm × 261 mm
Operating Temperature	-10 °C to +55 °C
Storage Temperature	-20 °C to +60 °C
Operating Humidity	10%–93%
Installation	Rack or desktop
Certifications	CE-LVD: IEC 62368-1:2014 CE-EMC: EN IEC 61000-3-2:2019, EN 61000-3-3:2013+A1:2019, EN55032:2015+A11:2020, EN 55035:2017+A11:2020, EN 55024:2010+A1:2015, EN 50130-4:2011+A1:2014